



S-Series 300 Ice Cube Machine

Model

- SD-0302A
 SD-0303W
 SY-0304A
 SY-0305W



S-Series 300
Ice Machine on B-170 Bin

Standard Features

- Up to 340 lbs. (154 kgs.) daily ice production.
- CEE Tier 1 energy and water efficiency rating.
- Only 30" (76.20 cm) wide.
- Removable water distribution tube with no tools.
- Food zone designed with soft, round, cove corners.
- Patented cleaning and sanitizing technology.
- Select components made with AlphaSan® antimicrobial.
- Hinged front door for easy access.

Warranty

- 5-year parts and 5-year labor coverage on ice machine evaporator.
- 5-year parts and 3-year labor coverage on ice machine compressor.
- 3-year parts-and-labor coverage on all other ice machine, dispenser, and storage bin components.

Specifications

BTU Per Hour:

5,000 (average) 6,000 (peak)

Compressor:

Nominal rating: 1/2 HP

Cupra-Nickel Condenser:

(Water-cooled models)

Adds protection from corrosive water elements.

Operating Limits:

- Ambient Temperature Range: Air and water-cooled: 35° to 110°F (1.6° to 43.3°C)
- Water Temperature Range: 35° to 90°F (1.6° to 32.2°C)
- Water Pressure Ice Maker Water In: Min. 20 psi (137.9 kPa) Max. 80 psi (551.1 kPa)
- Condenser Inlet Water In: (Water cooled only) Min. 20 psi (137.9 kPa) Max. 150 psi (1,034.2 kPa)

Ice Machine Electric

115/60/1 standard. (208-230/60/1 and 230/50/1 also available.)

Minimum circuit ampacity:

Air-cooled: 15.6 amps
Water-cooled: 14.8 amps

Maximum fuse size:

Air-cooled and Water-cooled: 25 amps
HACR-type circuit breakers can be used in place of fuses.

Ice Shape



Half Dice
3/8" x 1 1/8" x 7/8"
(.95 x 2.86 x 2.22 cm)



Dice
7/8" x 7/8" x 7/8"
(2.22 x 2.22 x 2.22 cm)

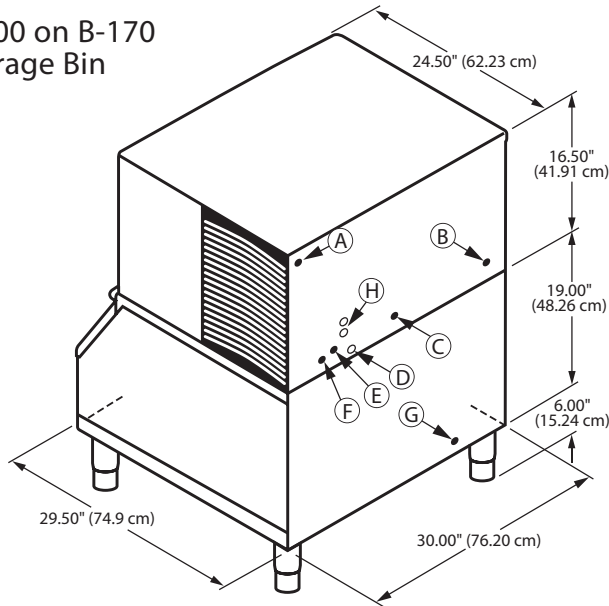


QUALITY MANAGEMENT SYSTEM
CERTIFIED BY DNV
ISO 9001:2008



S-Series 300 Ice Cube Machine

S-300 on B-170 Storage Bin



- (A) Electrical Entrance
- (B) 3/8" (0.95 cm) F.P.T. Water Condenser Inlet (water-cooled units)
- (C) 1/2" (1.27 cm) F.P.T. Water Condenser Outlet (water-cooled units)
- (D) 1/2" (1.27 cm) Auxillary Base Drain Socket
- (E) 3/8" (0.95 cm) F.P.T. Ice Making Water Inlet
- (F) 1/2" (1.27 cm) F.P.T. Ice Making Water Drain
- (G) 3/4" (1.91 cm) Bin Drain
- (H) AuCS-SO Option

Installation Note

Minimum installation clearance: Top: 8" (20.32 cm), 16" (40.64 cm) for air-cooled models, sides: 8" (20.32cm), back: 5" (12.70).

Space-Saving Designs



	S-300 B-170	S-300 B-400
Height	41.50" 105.41 cm	54.50" 138.43 cm
Width	30.00" 76.20 cm	30.00" 76.20 cm
Depth	29.50" 74.93 cm	34.00" 86.30 cm
Bin Storage	150 lbs. 68.04 kgs.	290 lbs. 131.50 kgs.

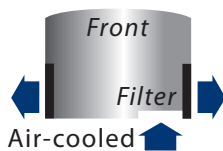
Height includes adjustable bin legs 6.00" to 8.00", (15.24 to 20.32 cm) set at 6.00" (15.24 cm).

Model	Ice Shape	Ice Production 24 Hours				Power kWh/100 lbs. @ 90°/70°F	CEE* Rating
		70°Air/50°F Water		90°Air/70°F Water			
		lbs.	kgs.	lbs.	kgs.		
SD-0302A	dice	340	154	270	123	7.7	Tier 1
SD-0303W	dice	325	147	290	132	6	Tier 1
SY-0304A	half-dice	340	154	270	123	7.7	Tier 1
SY-0305W	half-dice	325	147	290	132	6	Tier 1
Water usage/100 lbs./45.4 kgs. of Ice							
Potable Water: 18 gallons, 68 liters • Water-cooled Condenser: 153 gallons, 579 liters.							

Order ice storage bin separately. "A" or "W" following model number indicates "Air" or "Water" condensing unit.

***Consortium for Energy Efficiency (CEE)** is a North American nonprofit organization that promotes energy-efficient products, technologies and services; also the principal entity for the development of ice maker efficiency standards.

Air Flow Top View



AuCS®SO Accessory

Automatic Cleaning System purchased as an option and installed in the field.