



Q-210/270 Ice Cube Machines

Models

- | | | | |
|-----------------------------------|-----------------------------------|-----------------------------------|-----------------------------------|
| <input type="checkbox"/> QD-0212A | <input type="checkbox"/> QY-0214A | <input type="checkbox"/> QD-0272A | <input type="checkbox"/> QY-0274A |
| <input type="checkbox"/> QD-0213W | <input type="checkbox"/> QY-0215W | <input type="checkbox"/> QD-0273W | <input type="checkbox"/> QY-0275W |



Q-210



Q-270

Refreshing! The New Manitowoc Undercounters

- | | |
|--|---|
| <ul style="list-style-type: none"> Up to 220 lbs. (100 kgs) daily ice production Up to CEE Tier 2 energy and water use rating Only 26" (66.04 cm) wide, 26.50" (67.31 cm) deep, and 38.50" (82.55 cm) high on 6" (15.24 cm) legs 80 lb. (36.6 kg) ice storage capacity | <ul style="list-style-type: none"> Up to 290 lbs. (132 kgs) daily ice production Up to CEE Tier 2 energy and water use rating Only 30" (76.2 cm) wide, 28.16" (71.52 cm) deep, and 38.50" (97.79 cm) high on 6" (15.24 cm) legs 100 lb. (45.45 kg) ice storage capacity |
|--|---|

Standard Features

- Wide assortment** - undercounter sizes to meet every ice need
- Updated Aesthetics** - Clean, crisp coordinated bin interior
- Convenient Access to Ice** - Ergonomic angled bin door providing visibility and easy access to ice without bending over
- Enhanced Function** - EZ slide door elevates the user experience and improves product reliability
- Improved Sanitation** - AlphaSan® added to key internal components to extend time between cleanings
- Simplified Installation** - New flat right angle plug for easier installation in tight spaces
- Manitowoc proven vertical evaporator using proprietary technology – made in Manitowoc, WI.
- Bin door slides up and out of the way for maximum access
- Stainless steel exterior
- Patented cleaning and sanitizing technology
- R-404A CFC-free refrigerant

Warranty

- 5-year parts and 5-year labor coverage on ice machine evaporator
- 5-year parts and 3-year labor coverage on ice machine compressor
- 3-year parts-and-labor coverage on all other ice machine, dispenser, and storage bin components

Specifications

BTU Per Hour:

Q-210: 2,400 (average)
3,400 (peak)

Q-270: 3,800 (average)
6,000 (peak)

Compressor:

Nominal rating: 1/3 HP

Cupra-Nickel Condenser:

(Water-cooled models)
Adds protection from corrosive water elements.

Operating Limits:

- Ambient Temperature Range: 40° to 110°F (4.4° to 43.3°C)

- Water Temperature Range: 45° to 90°F (4.4° to 32.2°C)

- Water Pressure Ice Maker Water In:
Min. 20 psi (137.9 kPa)
Max. 80 psi (551.1 kPa)

- Condenser Inlet Water In: (Water-cooled only)
Min. 20 psi (137.9 kPa)
Max. 150 psi (1,034.2 kPa)

Ice Shape



Half Dice
3/8" x 1 1/8" x 7/8"
(.95 x 2.86 x 2.22 cm)



Dice
7/8" x 7/8" x 7/8"
(2.22 x 2.22 x 2.22 cm)

Ice Machine Electric

115/60/1. (208-230/60/1 and 230/50/1 available.) 115/60/1 ice machines are factory pre-wired with a 6' (180 cm) power cord and NEMA 5-15P-plug configuration. 208-230/60/1 ice machines are factory pre-wired with a 6' (180 cm) power cord only, no plug is supplied.

Total Amps:

Q-210: 115/60/1: Air-cooled: 6.5 amps / Water-cooled: 6.1 amps
208-230/60/1: Air-cooled: 3.6 amps / Water-cooled: 3.1 amps

Q-270: 115/60/1: Air-cooled: 10.7 amps. / Water-cooled: 9.9 amps.
208-230/60/1: Air-cooled: 5.2 amps / Water-cooled: 4.7 amps

Maximum fuse size:

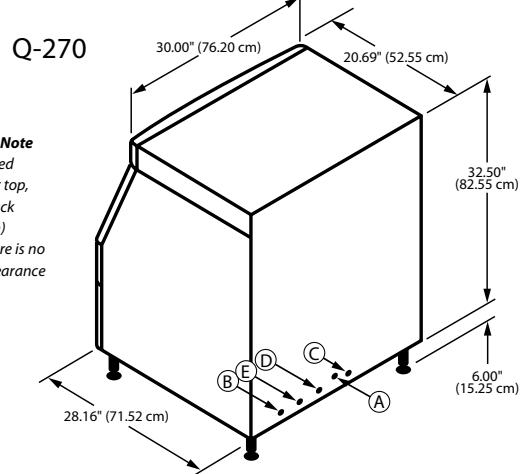
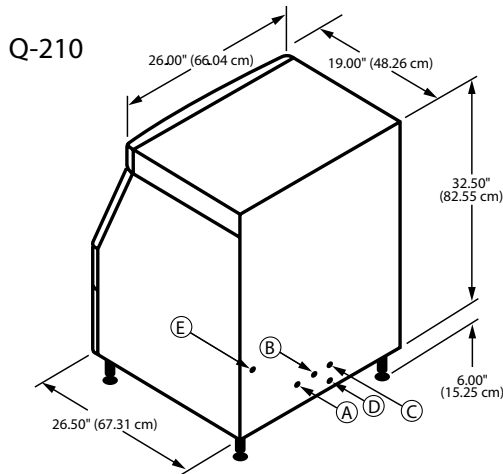
Air and Water-cooled: 15 amps

HACR-type circuit breakers can be used in place of fuses.





Q-210/270 Ice Cube Machines



Installation Note
Recommended clearance for top, sides, and back is 5" (12.7 cm) however, there is no minimum clearance required.

- Ⓐ Electrical Entrance (2) Options
- Ⓑ 3/8" (0.95 cm) F.P.T. Ice Making Water Inlet
- Ⓒ 1/2" (1.27 cm) F.P.T. Minimum Water Condenser Outlet (water-cooled units)

- Ⓓ 3/8" (0.95 cm) F.P.T. Water Condenser Inlet (water-cooled units)
- Ⓔ 1/2" (1.27 cm) F.P.T. Ice Bin Drain

- Ⓐ Electrical Entrance (2) Options
- Ⓑ 1/2" (0.95 cm) F.P.T. Ice Making Water Inlet
- Ⓒ 1/2" (1.27 cm) F.P.T. Minimum Water Condenser Outlet (water-cooled units)

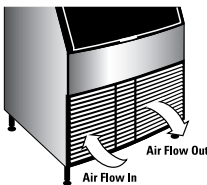
- Ⓓ 3/8" (0.95 cm) F.P.T. Water Condenser Inlet (water-cooled units)
- Ⓔ 1/2" (1.27 cm) F.P.T. Ice Bin Drain

Specifications

Model	Ice Shape	Ice Production 24 hours				Power kWh/100 lbs. @ 90°/70°F	CEE* Rating	ENERGY STAR
		70° F Air		90° F Air				
		50° F Water	70° F Water	70° F Water	70° F Water			
		lbs.	kgs	lbs.	kgs			
QD-0212A	dice	215	98	155	70	9.9	Tier 2	★
QD-0213W	dice	220	100	190	86	6.8	Tier 2	
QY-0214A	half-dice	215	98	155	70	9.9	Tier 2	★
QY-0215W	half-dice	220	100	190	86	6.8	Tier 2	
QD-0272A	dice	280	127	215	98	9	Tier 2	★
QD-0273W	dice	290	132	245	111	7.3	Tier 1	
QY-0274A	half-dice	280	127	215	98	9	Tier 2	★
QY-0275W	half-dice	290	132	245	111	7.3	Tier 1	
Water usage/100 lbs./45.4 kgs of Ice								
Potable Water: Q-210: 33.5 gallons / 127 liters • Q-270 32.4 gallons / 123 liters								
Water-cooled Condenser:								
Q-210: 142 gal. / 537 liters • Q-270: 167 gal. / 632 liters								

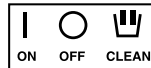
*Consortium for Energy Efficiency (CEE) is a North American nonprofit organization that promotes energy-efficient products, technologies and services; also the principal entity for the development of ice maker efficiency standards.

Air Flow Top View



Air in left, air out right, no side vents. Great for installation under countertops and next to other equipment.

Front Access



Initiate ice, off and clean operations with simple upfront selector switch. No need to remove front panel.

Air Filter



Slides out from left side front without tools, easy to clean, reusable filter protects condenser from lint, grease and dust.